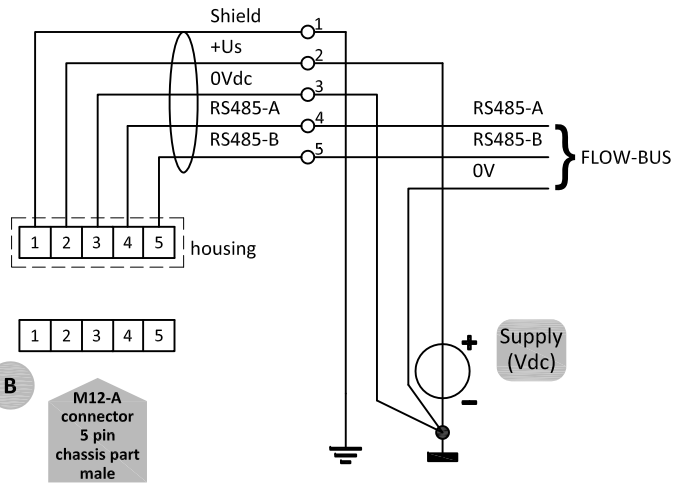


# FLOW-BUS

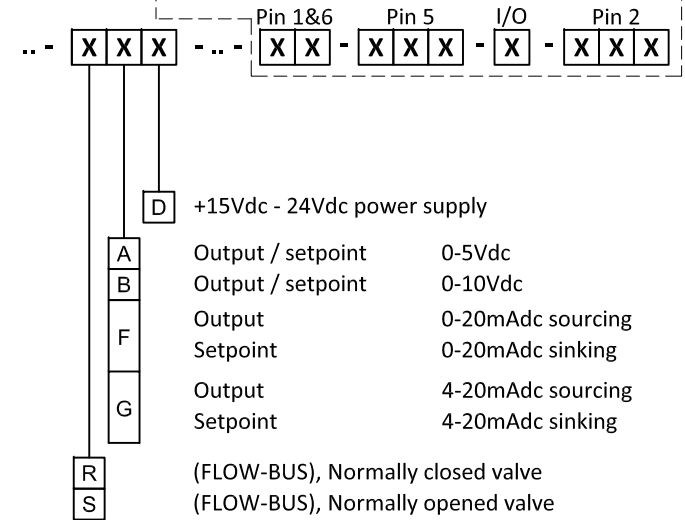
## ES-FLOW Hook-up diagram

### FLOW-BUS connection



### Model key explanation

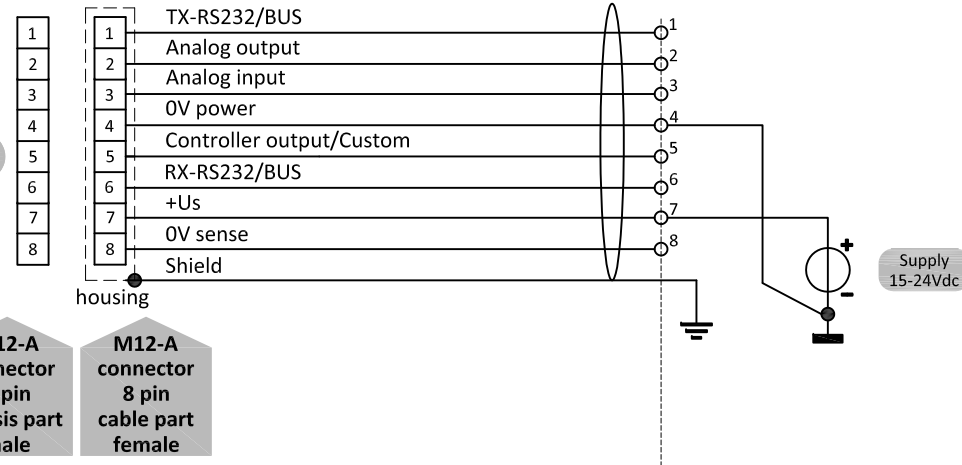
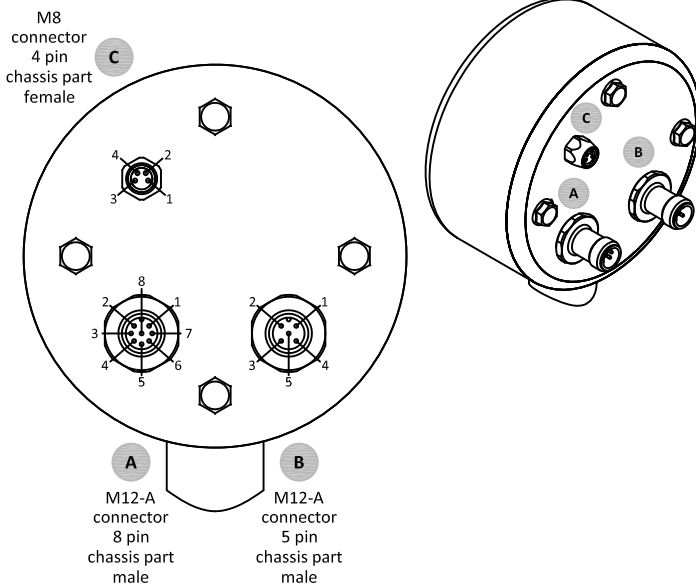
For other explanation see 9.16.249



### POWER SUPPLY WARNING



Do not power the instrument simultaneously from two different power sources (e.g. bus connection and Plug-in Power Supply). Doing so will damage the printed circuit board irreparably.



Note:  
 Powering a single instrument is possible by the M12 connector.  
 Please consult 9.16.252 for a connection diagram.

Note:  
 When using a field bus or RS232, it is not possible to operate the instrument by using the setpoint signal of the analog M12 connector without changing the value of parameter "control mode".  
 See doc.nr. 9.17.145 for more details.  
 Do not connect an external valve to instruments, set as meter.