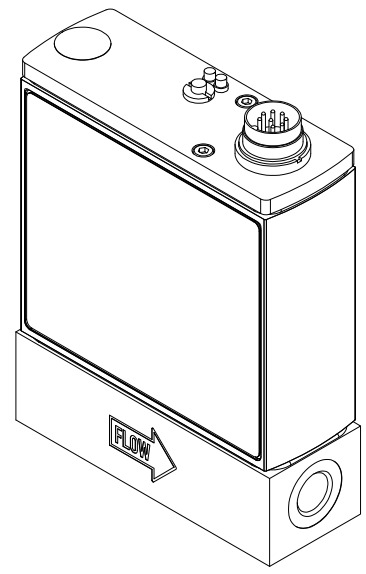
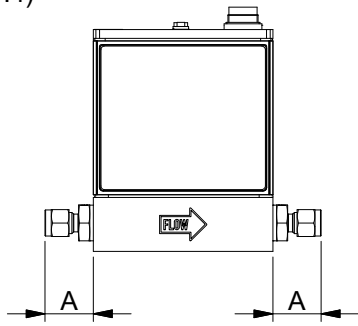

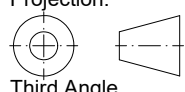


Optional fluidconnections:  
(scale: 1:4)



Check document 7.14.155 for dimension A.  
Check document 7.14.112 for the height of the multibus instrument.  
Dimensions subject to change without notice.

Tolerances  $\pm 0.2$  unless otherwise mentioned

Title: <b>Dimensional drawing</b> <b>MASS-STREAM™</b> <b>D-6410/D-6420</b>		Drawn by: M.H. Date: 13-03-2023		Revision Description:	
 Projection:  Third Angle Dimensions: Metric (mm)		Rev. by: Date:			
		Checked: V.H./G.T. Date: 13-03-2023		Scale: 1 : 2 <b>A4</b>	
Drawing no.: <b>7.14.093</b>				Rev: <b>A</b>	
				Page: 1 - 1	