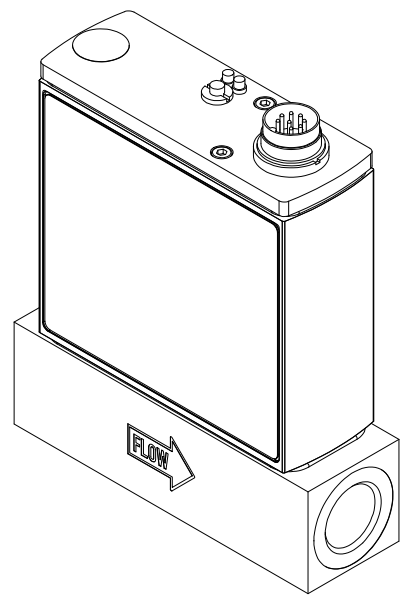
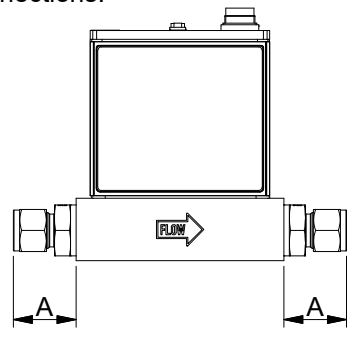

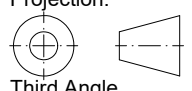


Optional fluidconnections:  
(scale: 1:4)



Check document 7.14.155 for dimension A.  
Check document 7.14.112 for the height of the multibus instrument.  
Dimensions subject to change without notice.

Tolerances  $\pm 0.2$  unless otherwise mentioned

Title: <b>Dimensional drawing</b> <b>MASS-STREAM™ D-6461-FAS</b>		Drawn by: M.H. Date: 13-03-2023		Revision Description:	
		Projection:  Third Angle		Rev. by: Date:	
Dimensions: Metric (mm)		Checked: V.H./G.T. Date: 13-03-2023		Scale: 1 : 2 <b>A4</b>	
Drawing no.: <b>7.14.100</b>			Rev: <b>A</b>		Page: 1 - 1