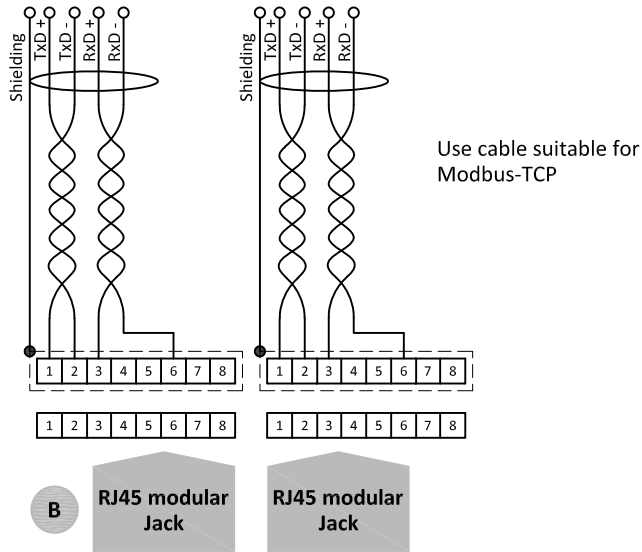
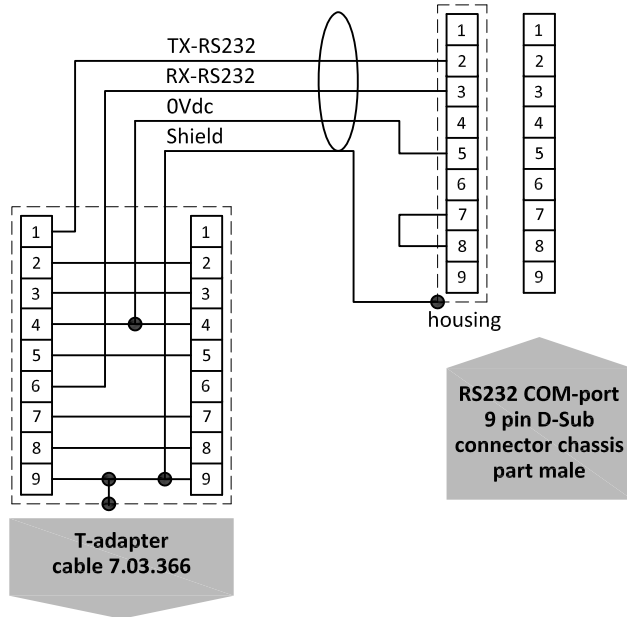


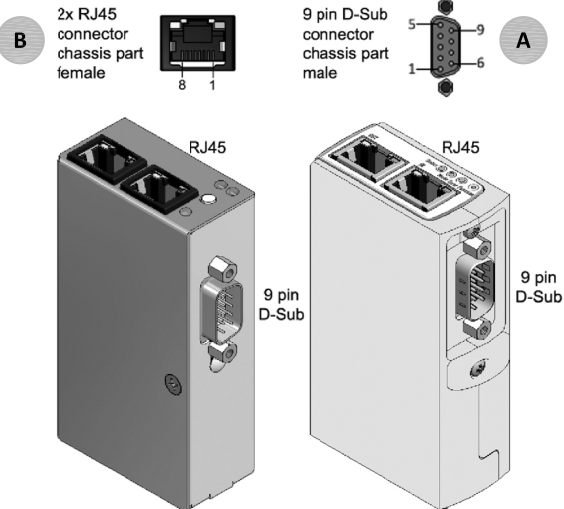
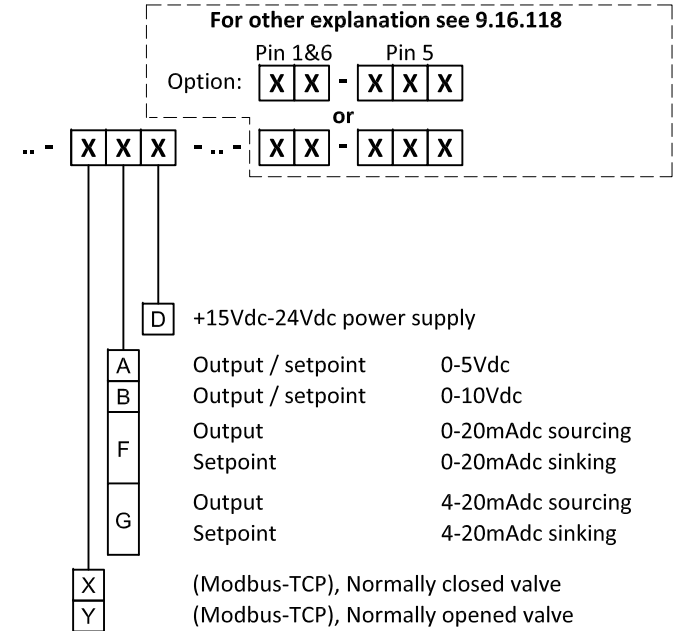
Modbus-TCP connection



RS232 connection

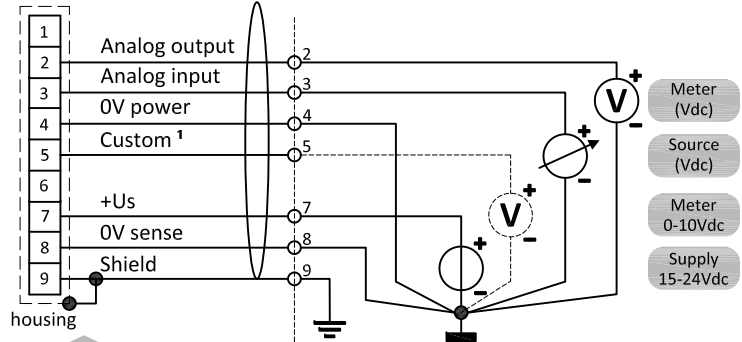


Model key explanation

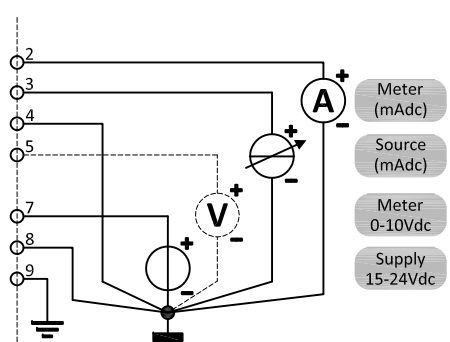


1	TX-RS232/BUS
2	Analog output
3	Analog input
4	0V power
5	Custom 1
6	RX-RS232/BUS
7	+Us
8	0V sense
9	Shield

A Instrument I/O



Analog operated
0-5 or 0-10Vdc



Analog operated
0-20 or 4-20mAdc

Note:
1) Default disabled, 0Vdc.

Note:
When using a field bus or RS232, it is not possible to operate the instrument by using the setpoint signal of the analog D-sub connector without changing the value of parameter "control mode". See doc.nr. 9.17.023 for more details.
Do not connect an external valve to instruments, set as MFM or EPM.