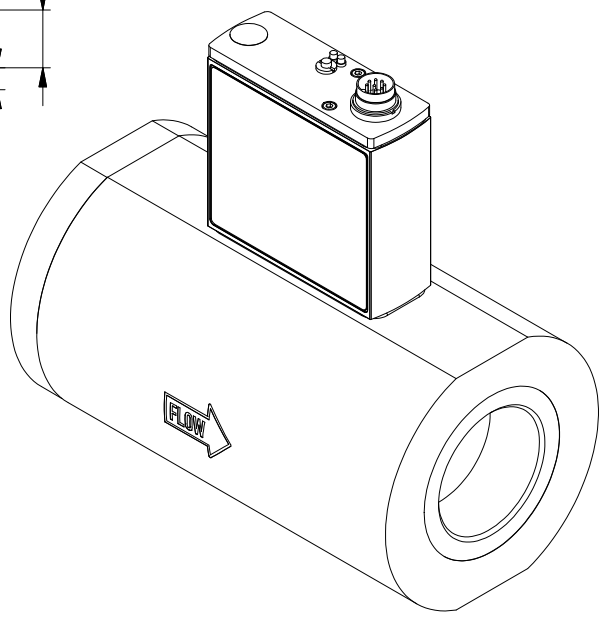
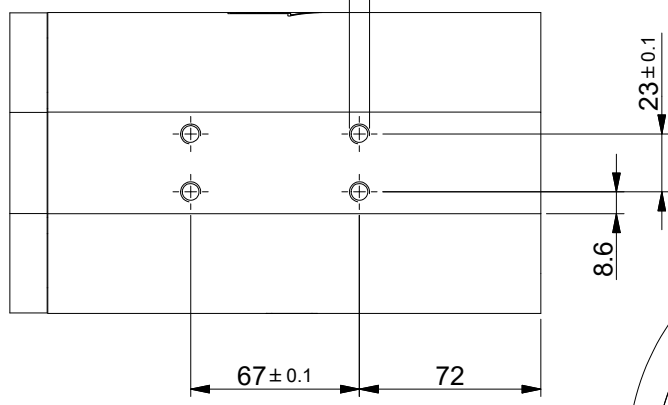

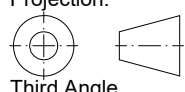


M8 thread 10 deep (4x)



Check document 7.14.112 for the height of the multibus instrument.  
 Dimensions subject to change without notice.

Tolerances  $\pm 0.2$  unless otherwise mentioned

Title: <b>Dimensional drawing          MASS-STREAM™ D-6490</b>		Drawn by: M.H. Date: 13-03-2023	Revision Description:	
		Rev. by: Date:	Scale: 1 : 3 <b>A4</b>	
Projection:  Third Angle Dimensions: Metric (mm)		Checked: V.H./G.T. Date: 13-03-2023	Drawing no.: <b>7.14.113</b> Rev: <b>A</b> Page: 1 - 1	