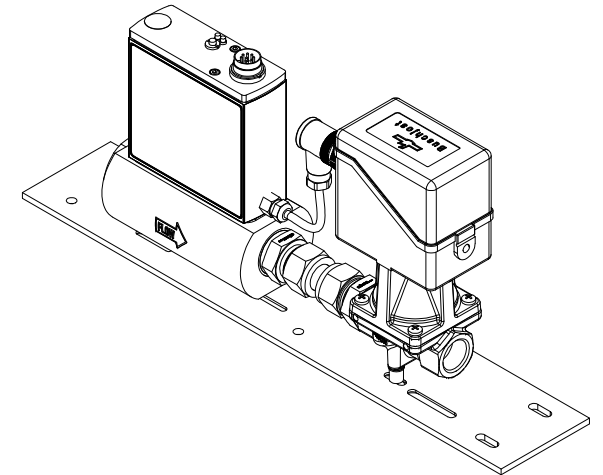
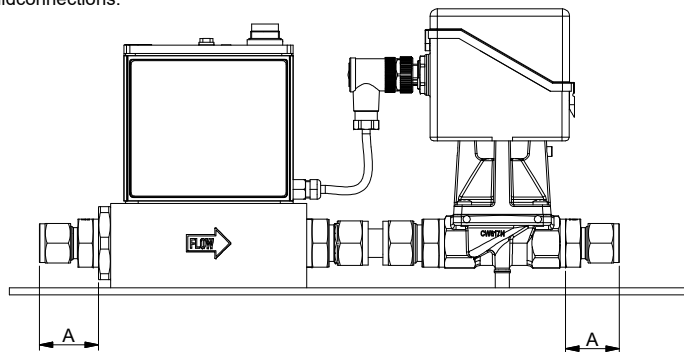

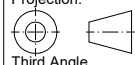


Optional fluidconnections:



Check document 7.14.155 for dimension A.  
 Check document 7.14.112 for the height of the multibus instrument.  
 Dimensions subject to change without notice.

Tolerances ± 0.2 unless otherwise mentioned

Title: <b>Dimensional drawing</b> <b>MASS-STREAM™ D-6473/BJ-1/2"</b>		Drawn by: M.H. Date: 13-03-2023		Revision Description:	
 www.bronkhorst.com		Rev. by: Date:		Scale: 1 : 3	
		Projection:  Third Angle Dimensions: Metric (mm)		Checked: V.H./G.T. Date: 13-03-2023	
		Drawing no.: <b>7.14.103</b>		Rev: <b>A</b>	
				Page: 1 - 1	