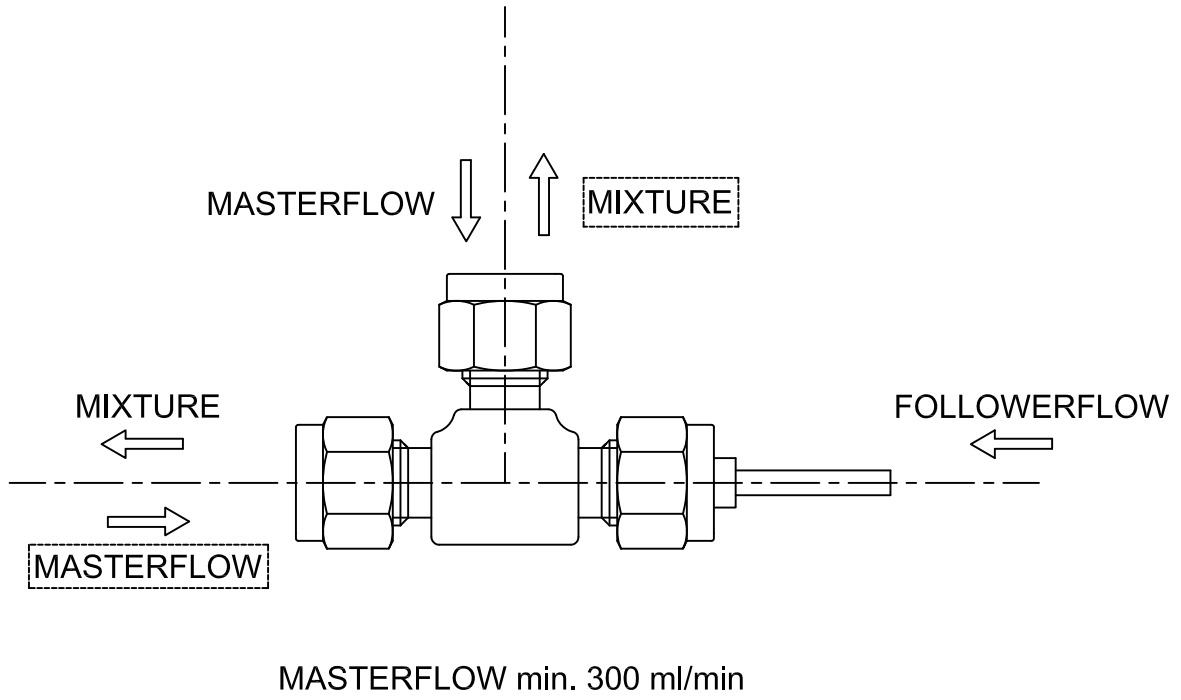
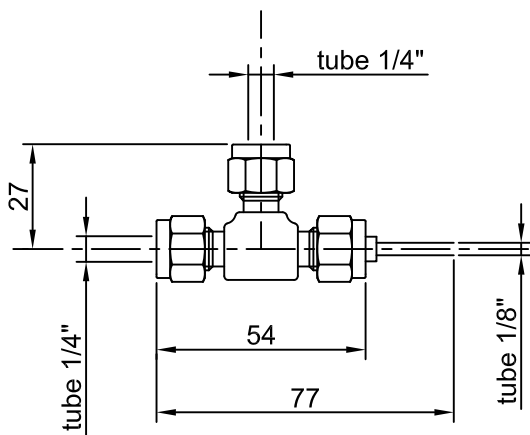


Max pressure: 20Bar. 

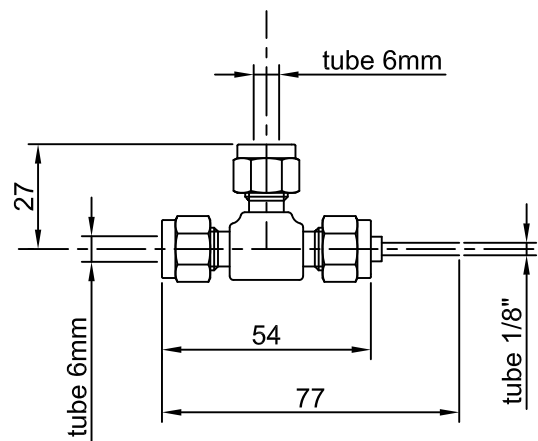


**GASMIXER 1/4"**


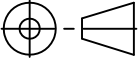


scale: 1:2

**GASMIXER 6mm**



scale: 1:2

Title: <b>Dimensional drawing Gasmixer</b>		Drawer : <b>H.L.</b>	Revision Description:	
		Date : 30-01-1990	Add Max pressure.	
		Checked: <b>H.L.</b>		
		Date : 20-02-2019	Rev. by: <b>J.W.</b>	Scale: <b>1:1</b>
		Drawing no.: <b>7.05.117</b>	Rev.: <b>E</b>	Page: <b>1-1</b>
 <b>Bronkhorst®</b> WWW.BRONKHORST.COM		Projection:  Third-angle Dimensions: Metric (mm)		