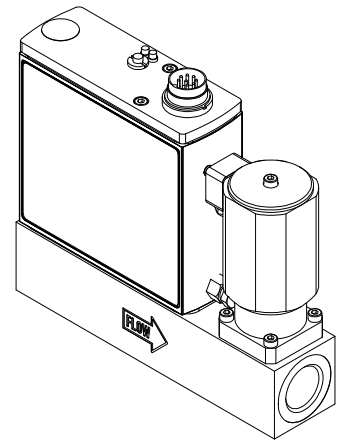
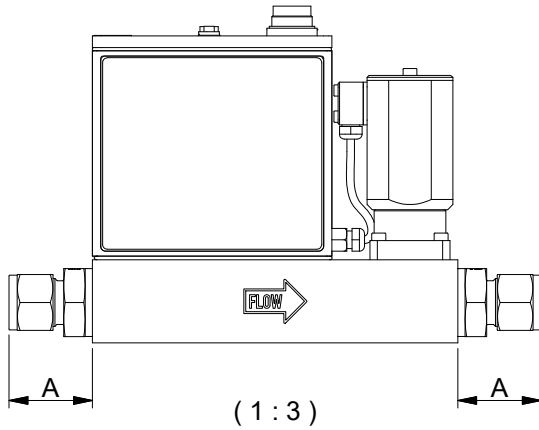

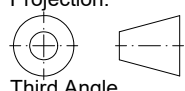


Optional fluidconnections:



Check document 7.14.155 for dimension A.
 Check document 7.14.112 for the height of the multibus instrument.
 Dimensions subject to change without notice.

Tolerances ± 0.2 unless otherwise mentioned

Title: Dimensional drawing MASS-STREAM™ D-6461A/002BI		Drawn by: J.W. Date: 13-03-2023	Revision Description:	
 Projection:  Third Angle Dimensions: Metric (mm)		Rev. by: Date:	Scale: 1 : 2 A4	
		Checked: V.H./G.T. Date: 13-03-2023		