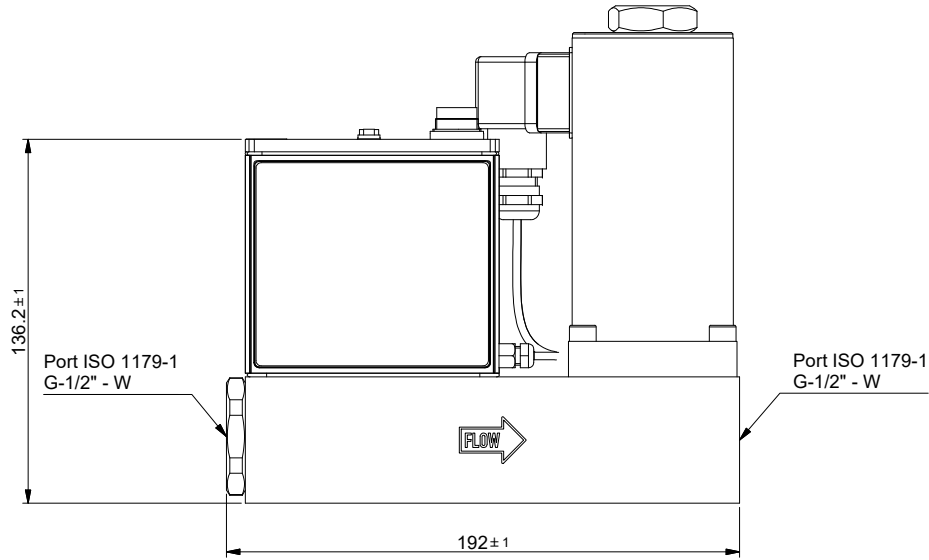


25



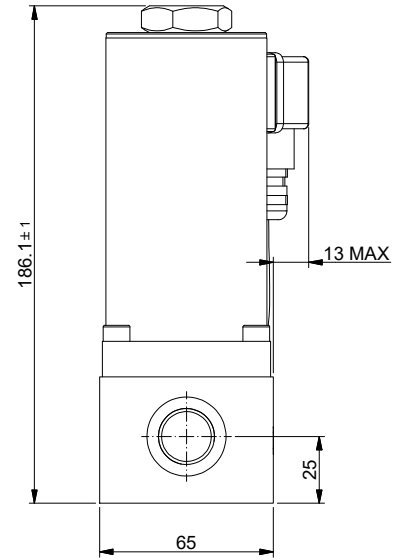
136.2±1

Port ISO 1179-1
G-1/2" - W

FLOW

192±1

Port ISO 1179-1
G-1/2" - W

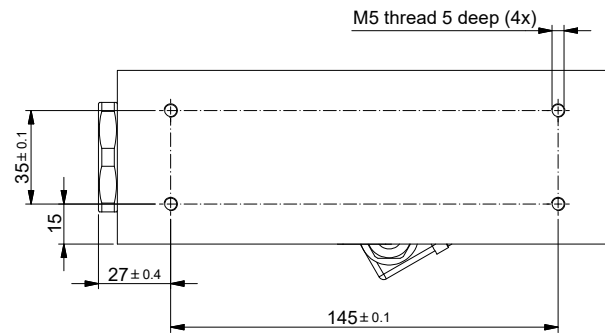


186.1±1

13 MAX

25

65



M5 thread 5 deep (4x)

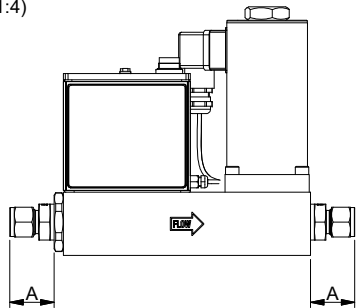
35±0.1

15

27±0.4

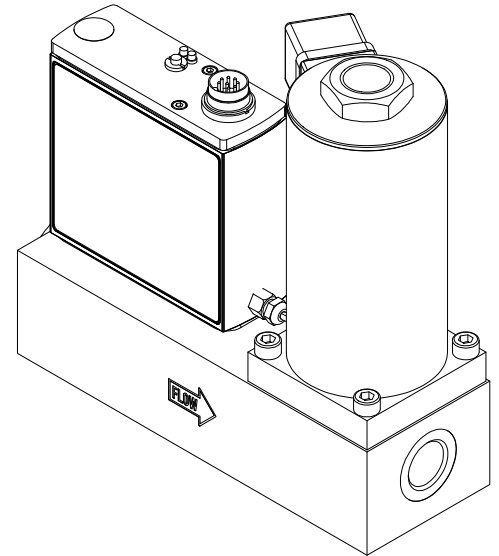
145±0.1

Optional fluidconnections:
(scale: 1:4)



A

A

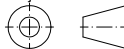


Check document 7.14.155 for dimension A.
Check document 7.14.112 for the height of the multibus instrument.
Dimensions subject to change without notice.

Tolerances ± 0.2 unless
otherwise mentioned

Title:
Dimensional drawing
MASS-STREAM™ D-6471/004BI


Bronkhorst
WWW.BRONKHORST.COM

Projection:

Third Angle
Dimensions:
Metric (mm)

Drawn by: M.H.
Date: 13-03-2023

Rev. by:
Date:

Checked: V.H./G.T.
Date: 13-03-2023

Revision Description:

Scale:
1 : 2

A3

Drawing no.: 7.14.101

Rev: A

Page:
1 - 1